

**BLUEWATER PRO
INSTALLATION
QUICK GUIDE**



BLUEWATER



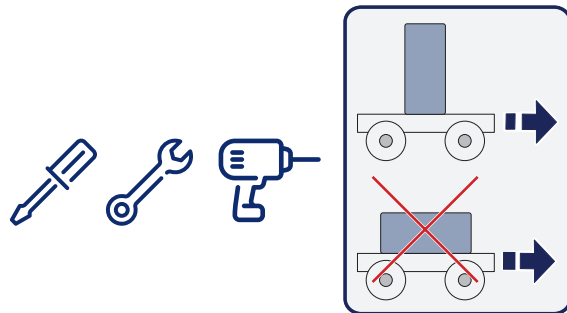
**BLUEWATER PRO
QUICK GUIDE**



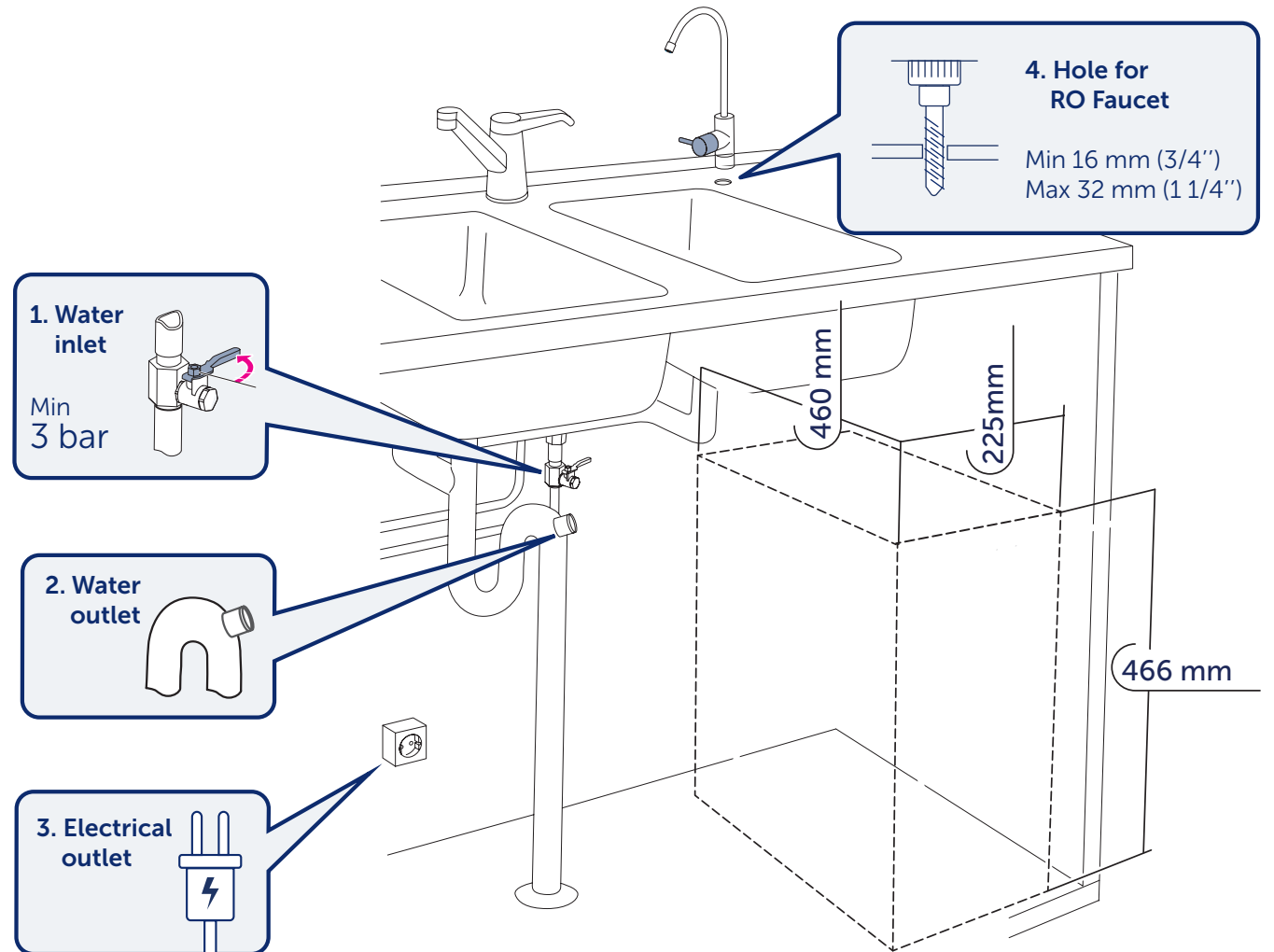
Easy to install

For products with serial number 220401001 and

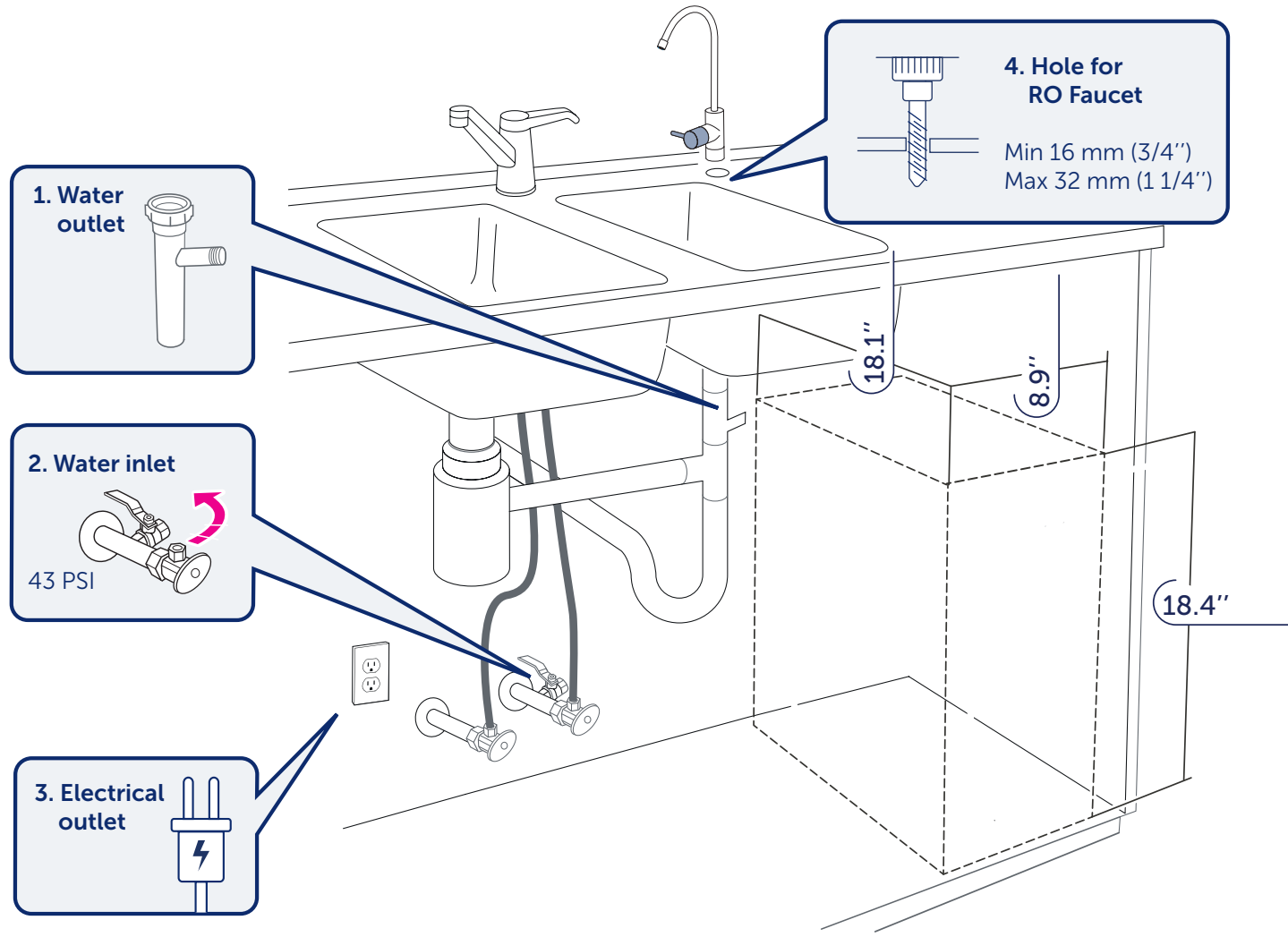
You'll find everything you need to know to install your new Bluewater PRO purifier in this Quick Guide. Or scan the QR code to for a user-friendly online version of the guide.



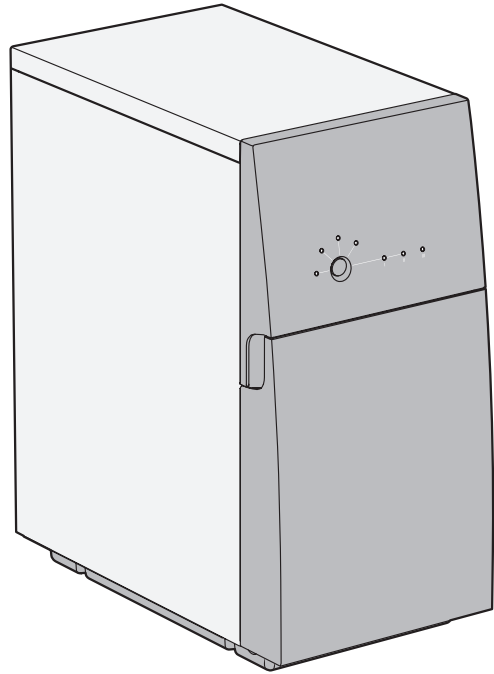
Preparation before installation:



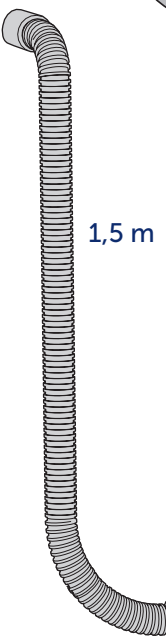
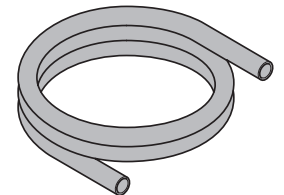
Preparation before installation US:



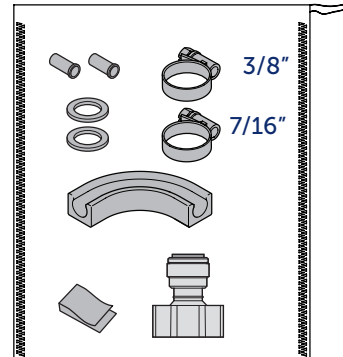
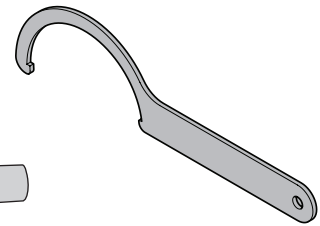
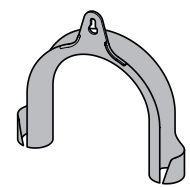
What is included



3 m
3/8"



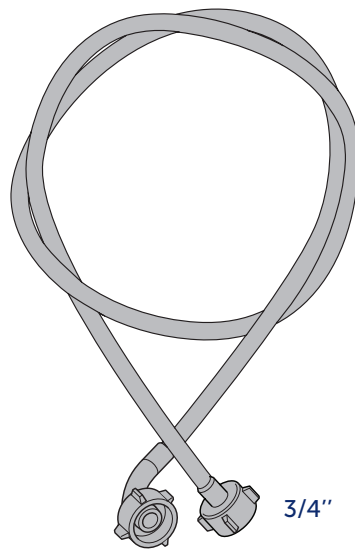
1,5 m



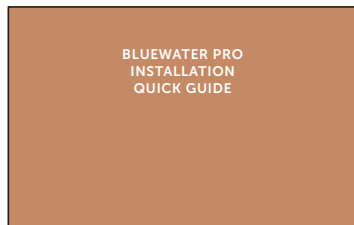
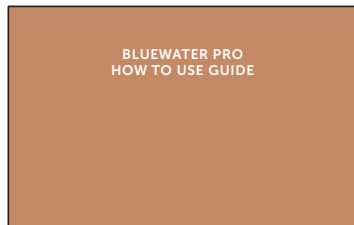
3/8"

7/16"

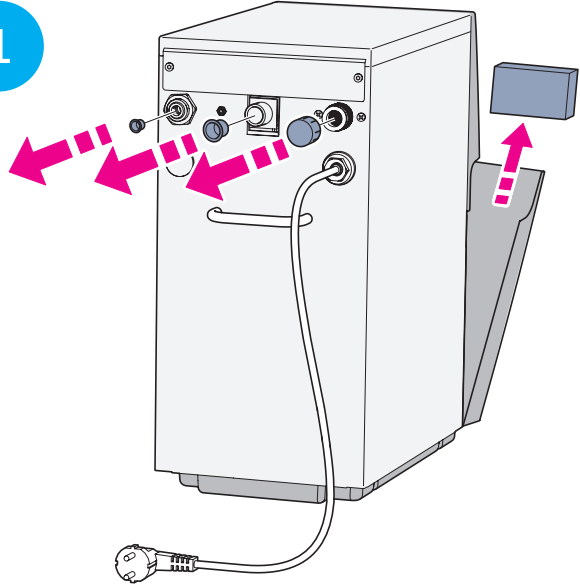
1,5 m



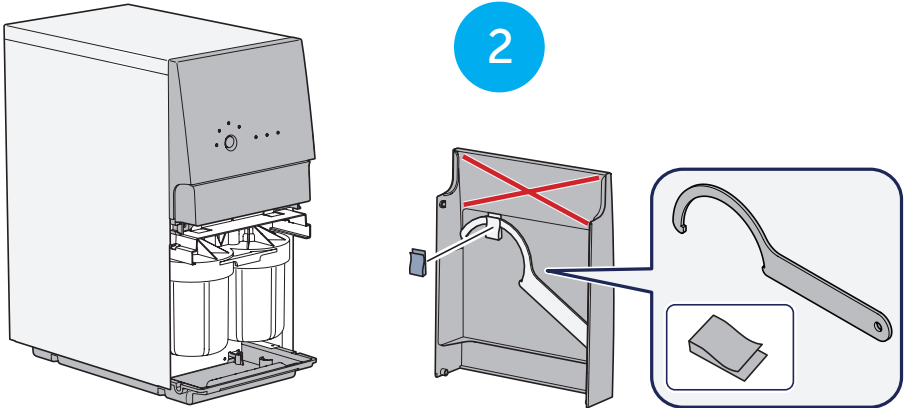
3/4"

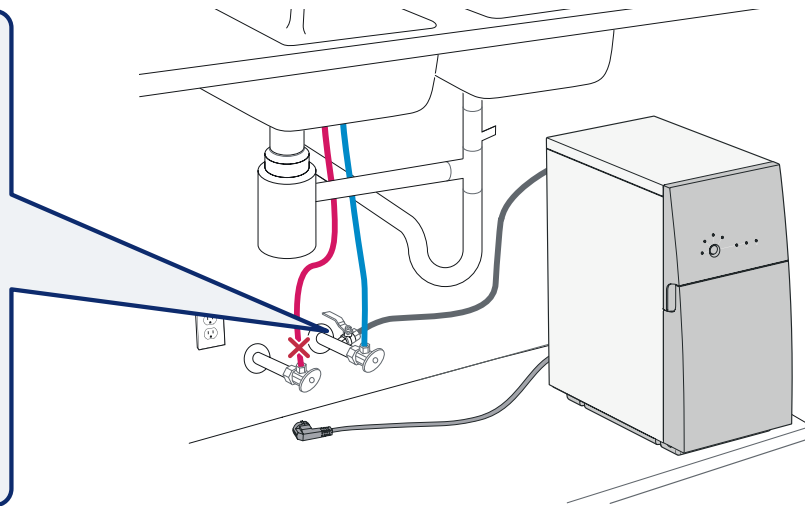
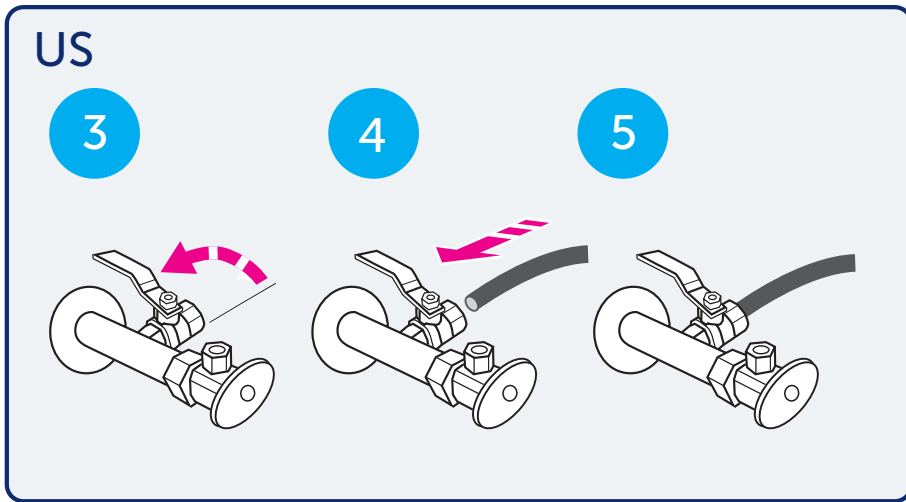
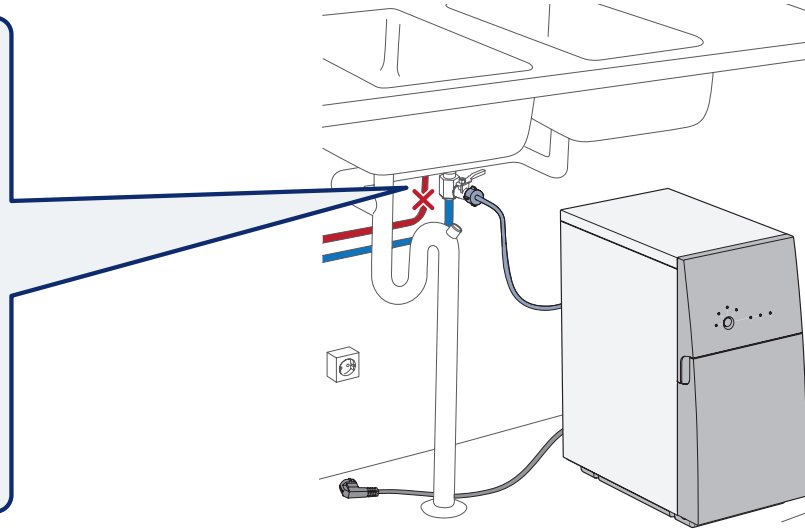
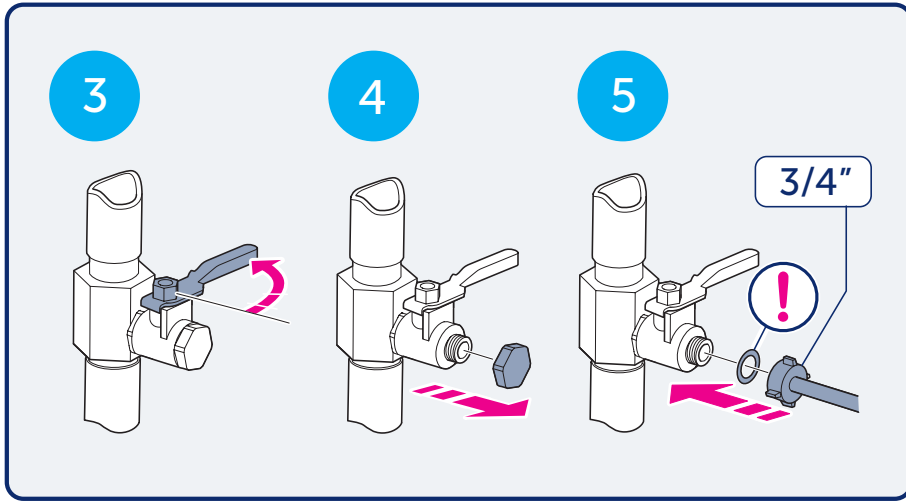


1

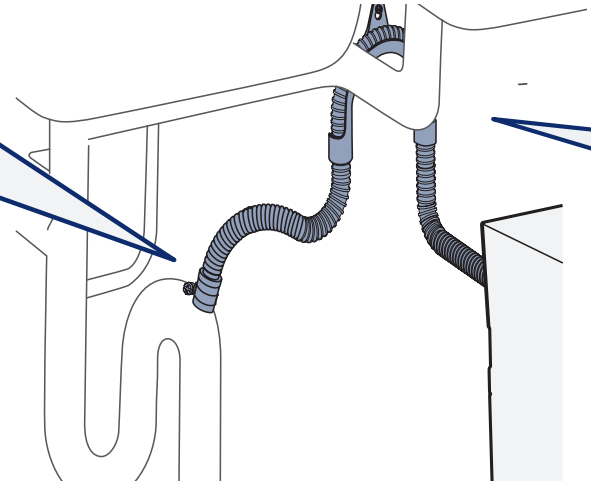
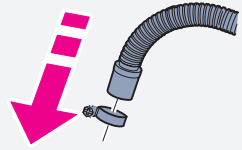
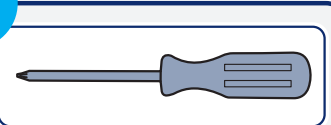


2

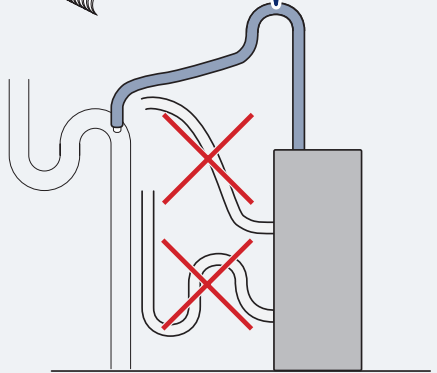
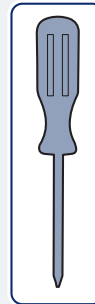
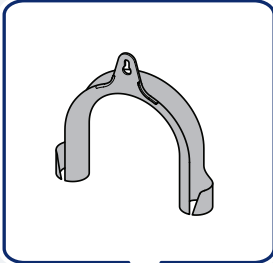
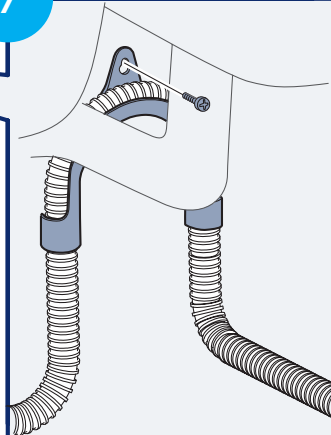




6

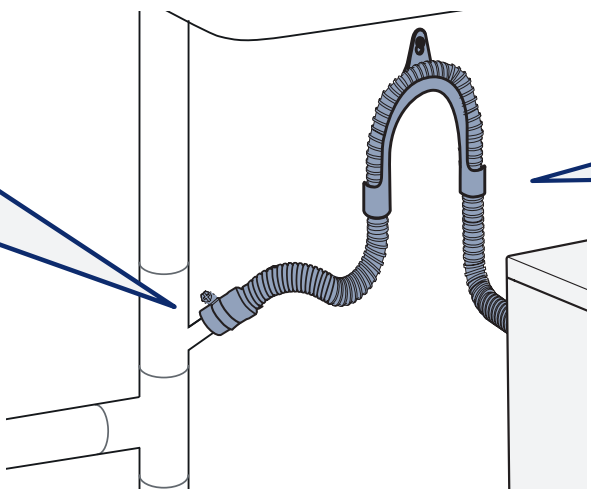
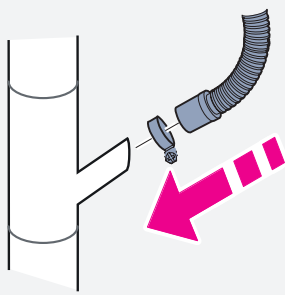


7

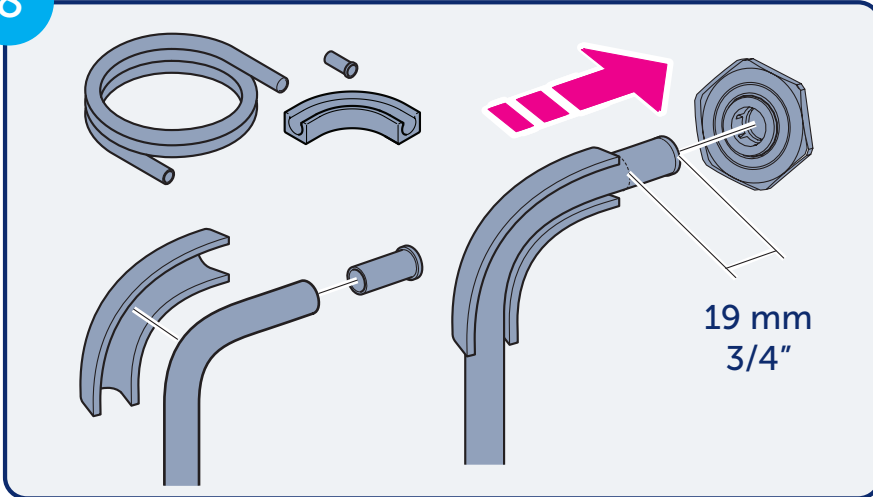


6

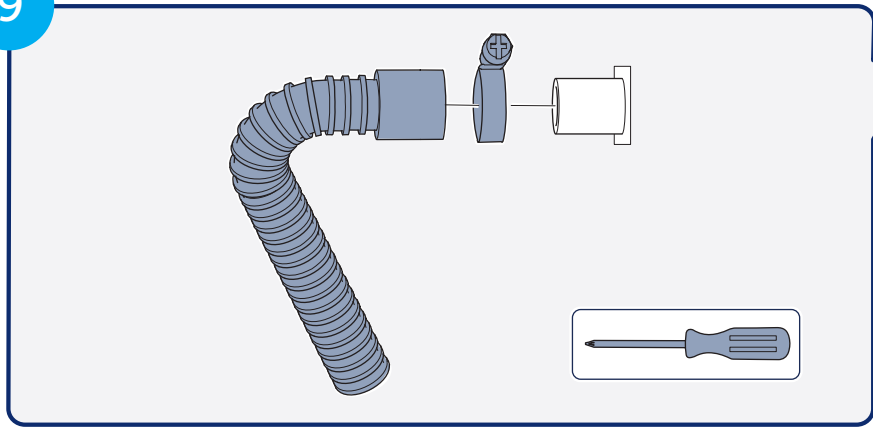
US



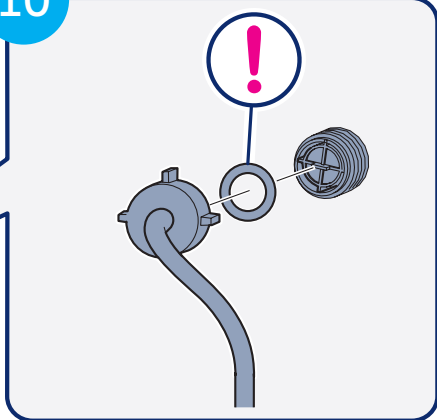
8



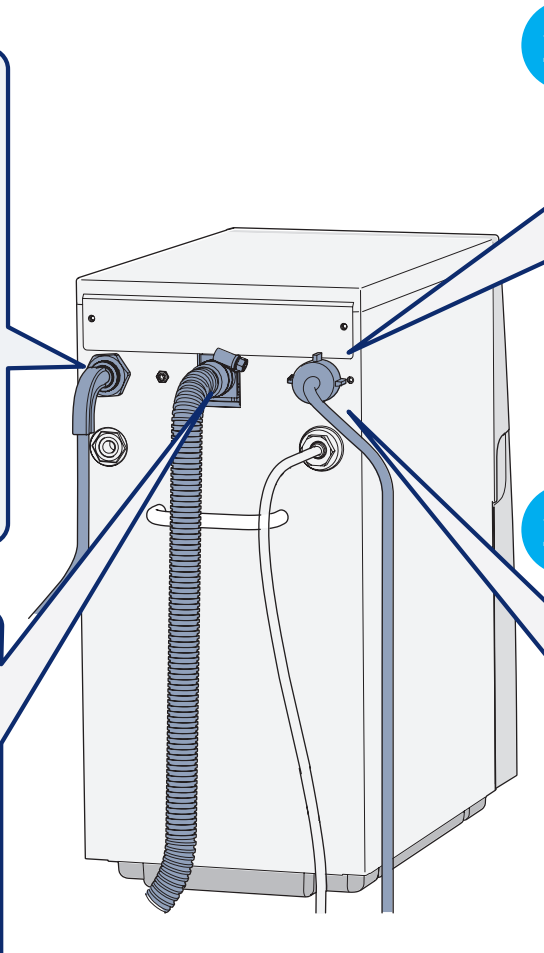
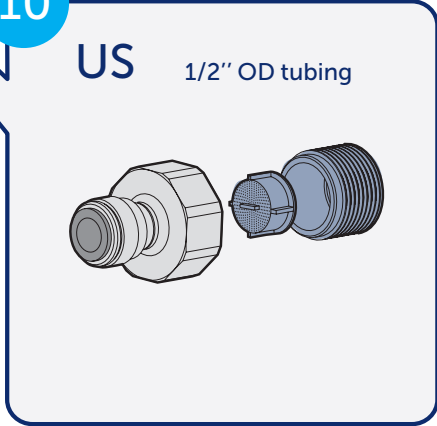
9



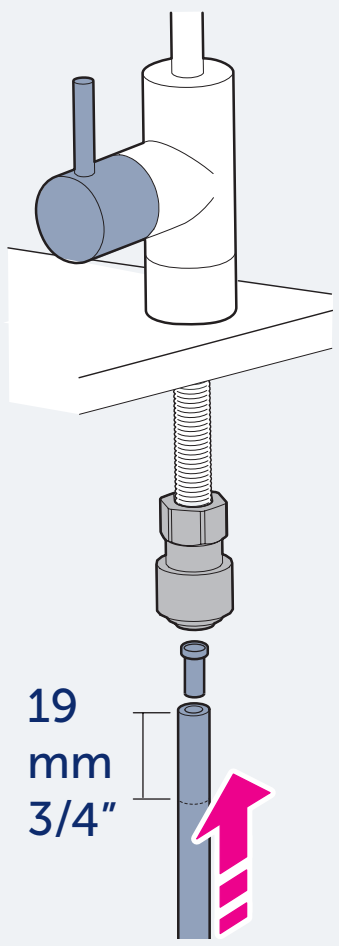
10



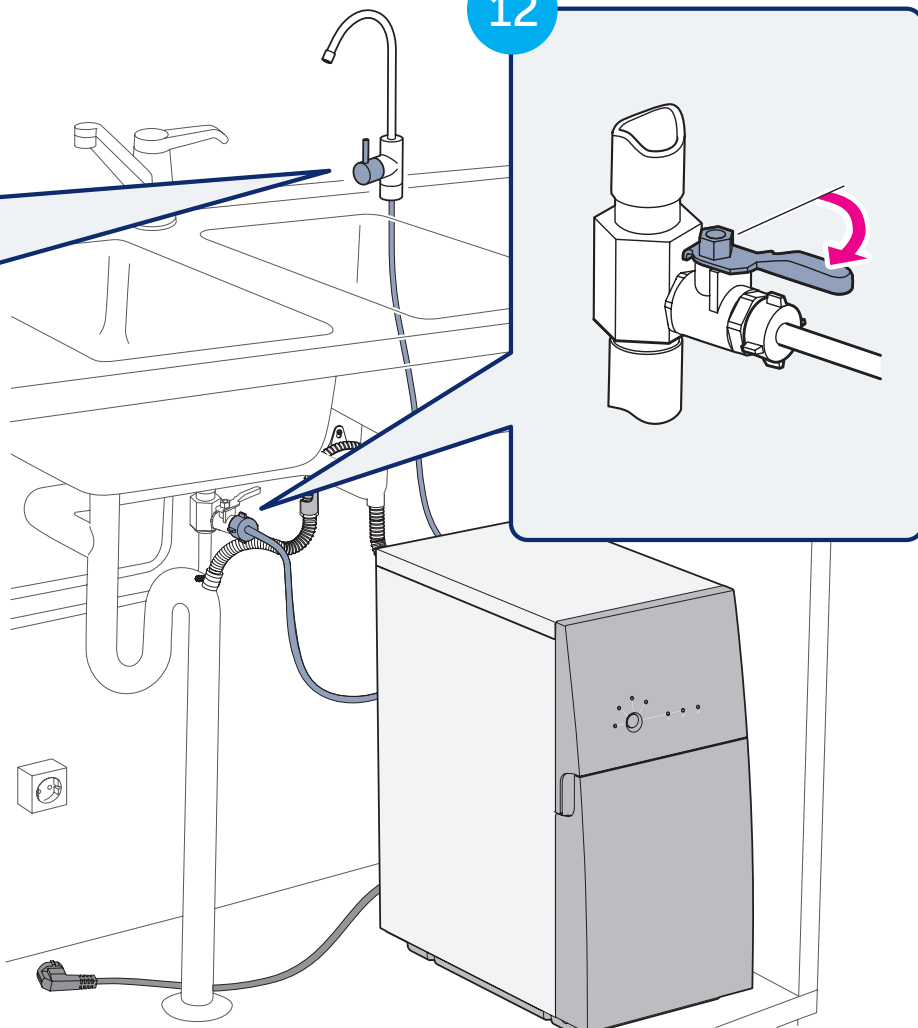
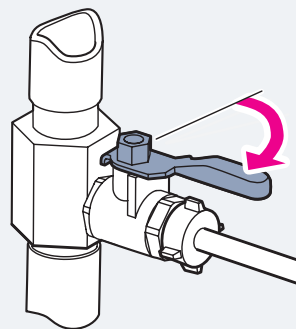
10



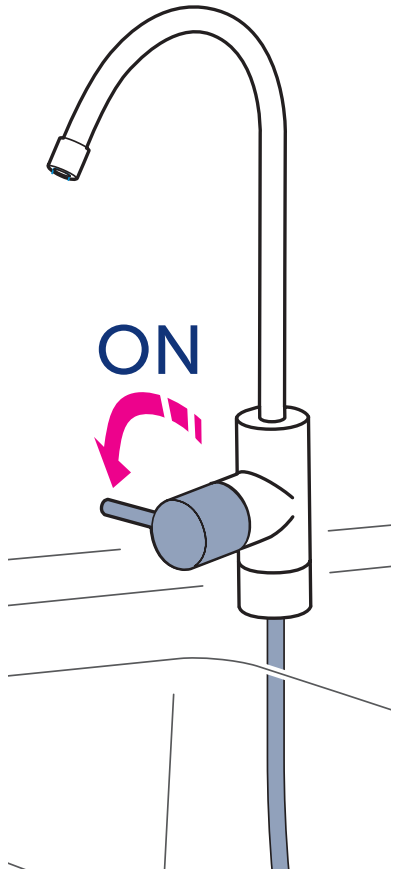
11



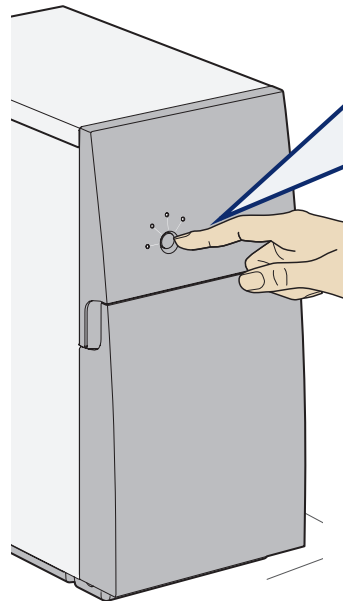
12



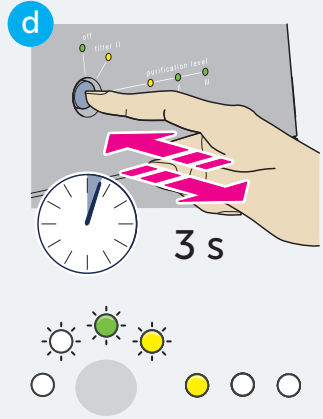
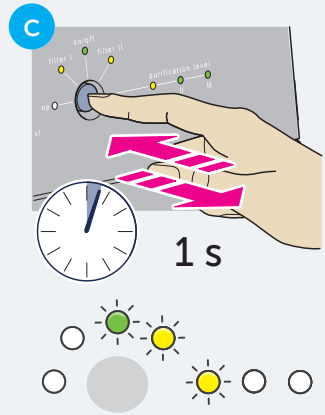
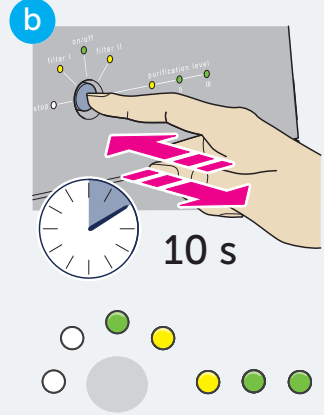
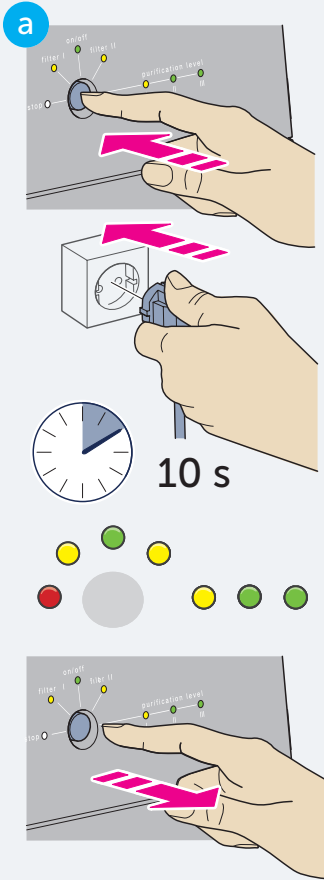
13



For more info



14





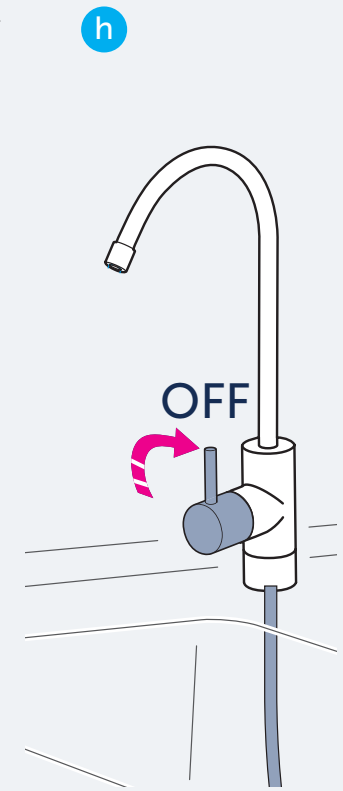
f

A close-up of a control panel with a rotary dial and a 'purification level' indicator. A clock shows 54 minutes. Below, a diagram shows water particles (red, yellow, green) moving through a filter. A warning icon (exclamation mark in a circle) is next to a crossed-out illustration of a person drinking water and a crossed-out power button.

EMERGENCY STOP

A red dashed box containing an 'EMERGENCY STOP' button (a red circle with a white center), a hand pressing a button with a 10-second timer, and a circular icon with '14' and a lowercase 'a'.

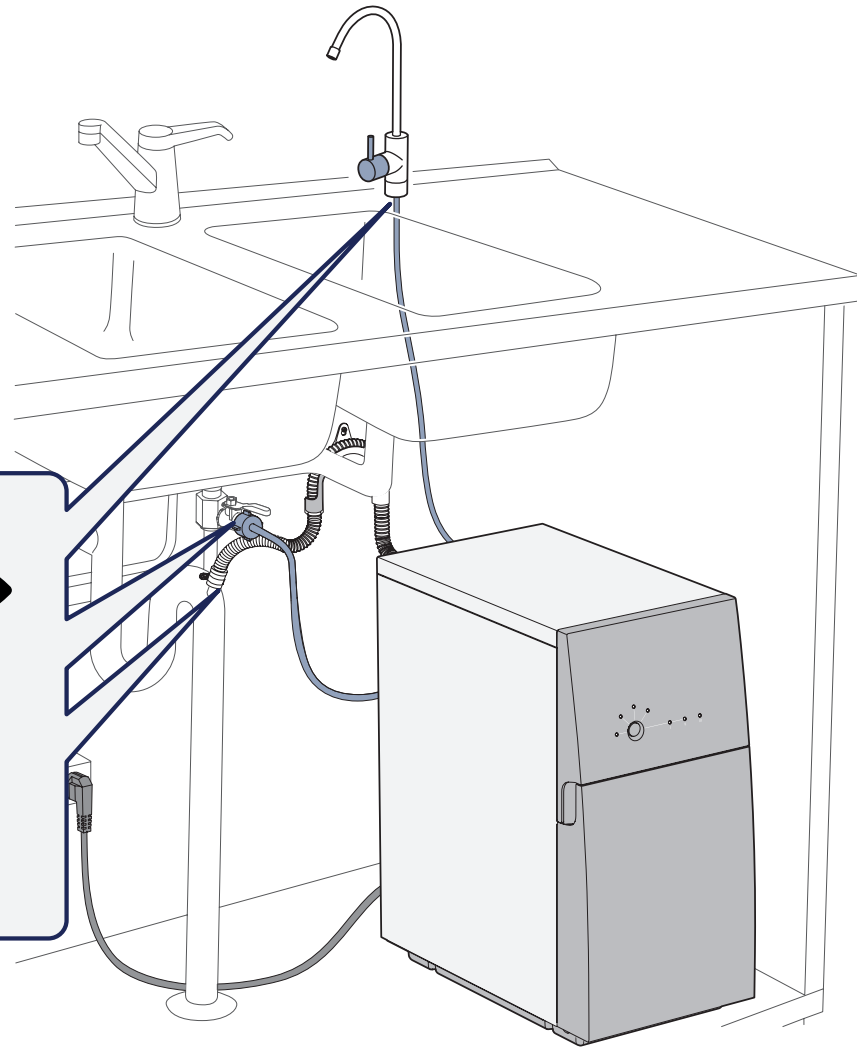
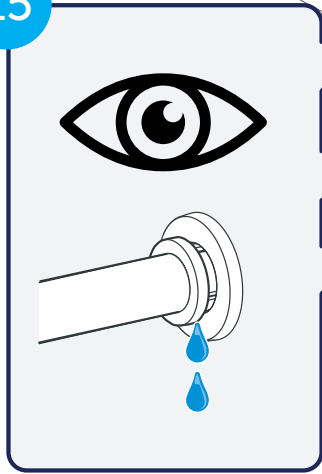
g

A close-up of the control panel with the dial and 'purification level' indicator. Below, a diagram shows water particles (yellow, green) moving through a filter.

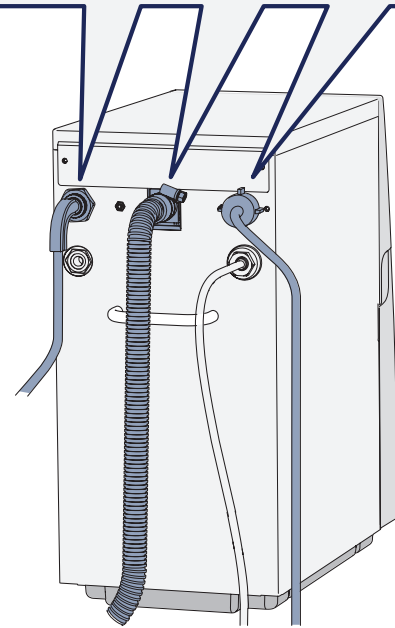
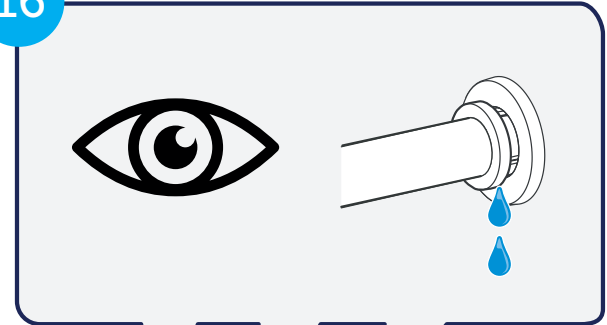
i

A close-up of the control panel with a hand pressing the button. A clock shows 3 seconds. Below, a diagram shows water particles (green, white) moving through a filter. A large green checkmark is at the bottom.

15



16



17



Enjoy your **BLUEWATER PRO!**
One of the best water purifiers in the world!

**FOR YOU &
OUR PLANET**



ENG: The installation must comply with applicable local plumbing codes and regulations.

FR: L'installation doit respecter les normes et réglementations de plomberie locales applicables

ES: La instalación de fontanería debe cumplir con la reglamentación y las normativas locales.

PT: A instalação deve cumprir as normas e os regulamentos de canalização locais aplicáveis.

IT: L'installazione deve rispettare i codici e le regolamentazioni idrauliche locali vigenti.

DE: Die Installation muss die örtlichen Vorschriften und Richtlinien für Wasser bzw. Sanitäreanlagen erfüllen.

PL: Muszą być spełnione obowiązujące przepisy i regulacje dotyczące instalacji wodociągowej.

RU: Установка должна соответствовать действующим местным санитарным нормам и правилам.

SE: Installationen måste uppfylla gällande VVS-regler och -förfordningar.

FI: Asennus on tehtävä sovellettavien paikallisten LVI-sääntöjen ja -määräysten mukaisesti.

NO: Installasjonen må utføres i henhold til gjeldende praksis og bestemmelser for rørleggerarbeid.

DK: Installationen skal overholde de gældende lokale regler og forskrifter for VVS-installationer.

ZH: 必须按照适用的当地管道标准和法规进行安装。

AR: اهدب لومعملا ذى لمل اذلاب سل ا رى اعمو نى ن اوق مع بى كر تال ا ق فاوتى نا بجى: عرب

BLUEWATER IS A SWEDISH WATER
COMPANY THAT PURIFIES LOCAL
SOURCES OF WATER INTO PURER,
FRESH DRINKING WATER.
WE'RE COMMITTED TO REDUCING
PLASTICS IN OUR OCEANS BY
ELIMINATING THE NEED FOR
SINGLE-USE PACKAGING. JOIN US.

BLUEWATERGROUP.COM

BLUEWATER
Danderydsgatan 11
114 26 Stockholm
Sweden

info@bluewatergroup.com



BLUEWATER